

**MODEL DESIGNATION:** Simonton Impact Resistant Casement Series 42-19 Vinyl Window

**MAXIMUM OVERALL NOMINAL SIZE:** Twin up to 73" x 72"

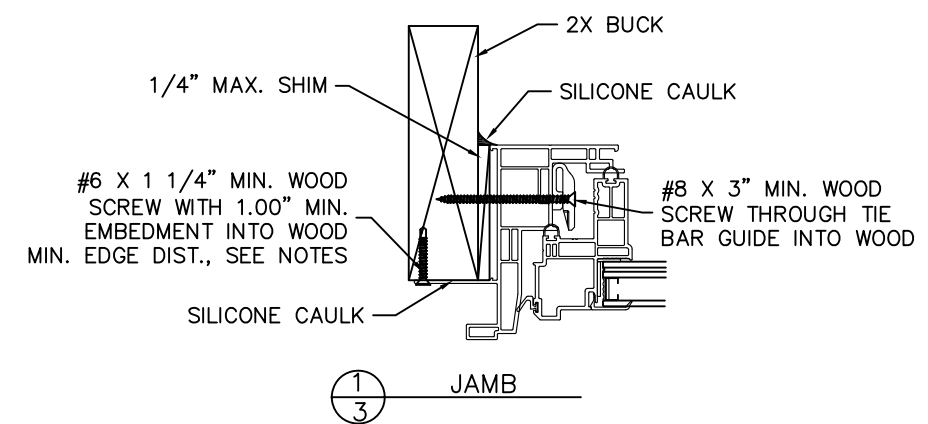
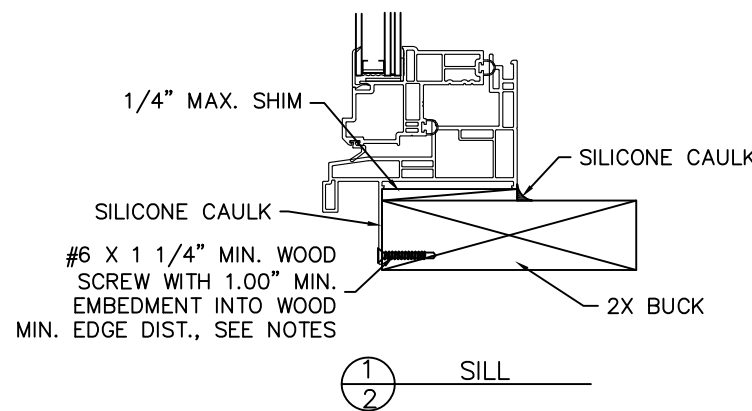
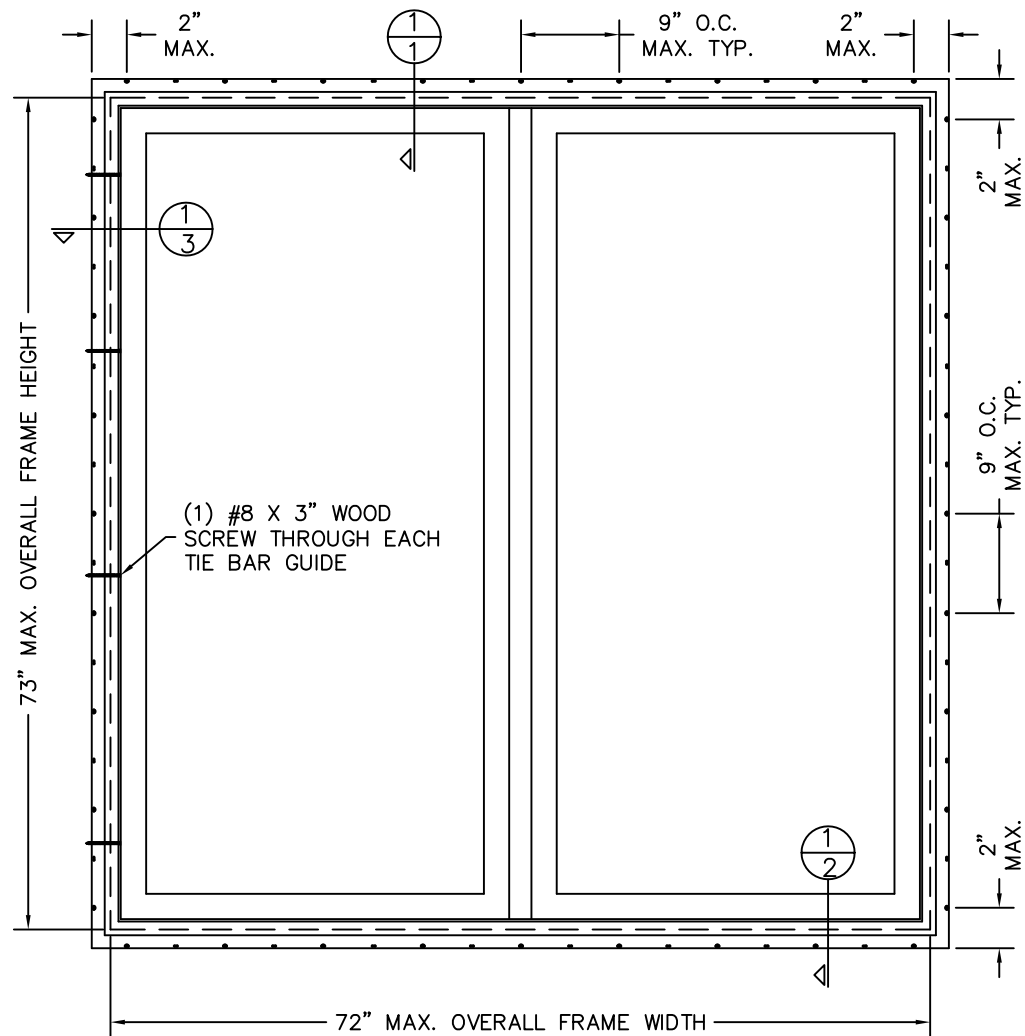
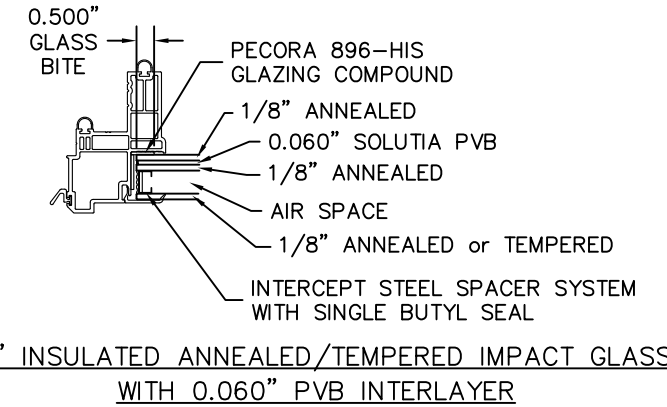
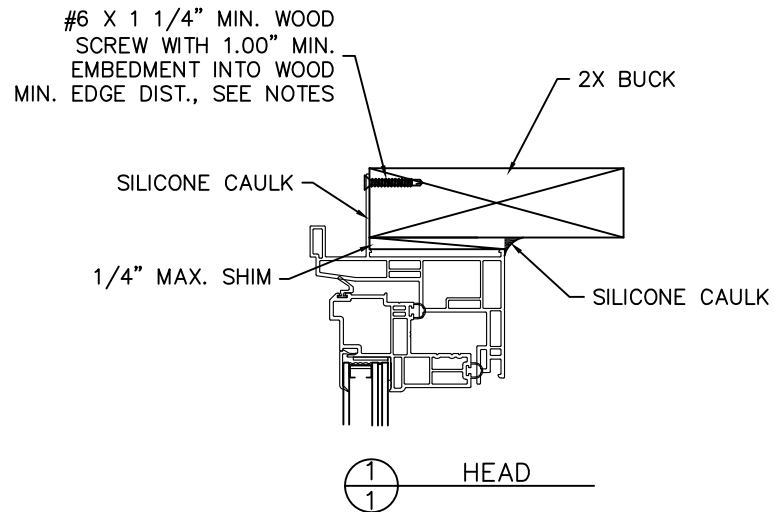
**DESIGN PRESSURE RATING:** Positive: 45.0 PSF  
Negative: 45.0 PSF

**USABLE CONFIGURATIONS:** X

**GENERAL DESCRIPTION:** The head, sill, and side jambs are extruded PVC. The wall thickness through which the anchor screw penetrates is a minimum of 0.070".

NO P.E. SEAL REQUIRED  
INSTALLATION SUPPORTED  
BY AAMA TEST REPORTS

REV. #	REVISIONS:	REVISED BY:	DATE:
1	ADDED MIN. EDGE DIST. NOTE.	B.J.S.	06/17/15
2	ADDED NOTES 11 & 12 AND ADDED ANNEALED TO IG VIEW	LMH	02/26/16
.	.	.	.
.	.	.	.
.	.	.	.



**NOTES:**

- This installation has been evaluated for use in locations adhering to the Florida Building Code and where pressure requirements as determined by ASCE 7 Minimum Design Loads for Buildings and Other Structures do not exceed the design pressure ratings herein, for use outside the H.V.H.Z.
- All exterior perimeter surfaces of the window must be caulked. Interior caulking is optional unless noted otherwise.
- Anchors shall be as specified and spaced as shown. Anchor embedment to base material shall be beyond wall dressing or stucco and into wood.
- The responsibility for selection of Simonton products to meet any applicable local laws, building codes, ordinances, or other safety requirements rests solely with the architect, building owner, or contractor.
- Shims are optional. Maximum shim stack is 1/4".
- Wood bucks (by others) must be engineered and anchored properly to transfer loads to the structure.
- When used in areas requiring impact protection this product DOES NOT REQUIRE the use of approved impact resistant shutters or other external protection.
- Flashing should be applied using the ASTM E 2112 methodology appropriate for the opening into which the window is being installed.
- Glazing shall comply with ASTM E 1300-04.
- Installation screws must be at least 3/4" from the edge of the wood.
- Use 100% pure silicon caulk compliant with AAMA 800 Section 1 - Sealant Specifications for use with Architectural Fenestration Products. Make sure surfaces are completely free from all old caulk, damaged wood, wood fibers, grease, oil dirt, rust, mold or similar contaminants. Vacuum and clean opening surfaces completely. A fully primed surface is recommended, but not required. Cleaning of all surfaces should be done the same day of which the silicone caulk is to be applied. For more details see "Coastal Installation" on Simonton.com.
- Caulk application: recommended air and surface temperatures at the time of application are to be between 40 and 90 degrees F. Insure all contact surfaces are clean and dry including the new window(s). Use a backer rod on all joints >3/4" deep and/or wider than 1/4". Finished caulk joint should be a minimum of 3/8" deep and make full contact with both the new window and structural opening surfaces. Silicone caulk should be forced into joint or compressed to assure full contact on both surfaces and to expel any air pockets.

<p><b>DISCLOSURE STATEMENT</b></p> <p>This document is the property of Simonton Windows, which retains all proprietary and other rights to its subject matter. This document is provided to the recipient on the expressed condition that it is not to be disclosed, reproduced in whole or part, nor used in conjunction with the design, manufacture or repair of goods for anyone other than Simonton Windows without its consent. This restriction does not limit the recipient's rights to utilize information contained in this document which is properly obtained from another source.</p>	<p><b>MATERIAL:</b></p>		<p>Dimensional Tolerances Unless Otherwise Specified</p> <p>Decimals      Angles</p> <p>.X ± .03 .XX ± .01 .XXX ± .005</p>	<p><b>SIMONTON®</b> WINDOWS</p> <p>1 Cochrane Avenue Pennsboro, WV 26415</p>	<p>SIZE: B</p>	<p>DRAWING NO.: IN0549</p>	<p>REV.: 2</p>
	<p>RMS FINISH: EXCEPT AS NOTED</p>	<p>ALLOY &amp; TEMPER:</p>			<p>DRAWN BY: T.D.D.</p>	<p>DATE: 04/30/12</p>	
	<p>WEIGHT:</p>	<p>VOLUME:</p>			<p>CHECKED BY:</p>	<p>DATE:</p>	
	<p>SURFACE AREA:</p>	<p>PERIMETER:</p>			<p>APPR'VD BY:</p>	<p>DATE:</p>	
<p>FINISH TREATMENT:</p>	<p>FILE: IN0549</p>		<p>SCALE: FIT</p>	<p>SHEET: 1 of 1</p>	<p>SERIES: 42-19 IMPACT RESISTANT CASEMENT TRIPLE</p>		<p>TITLE: 2X BUCK INSTALLATION</p>